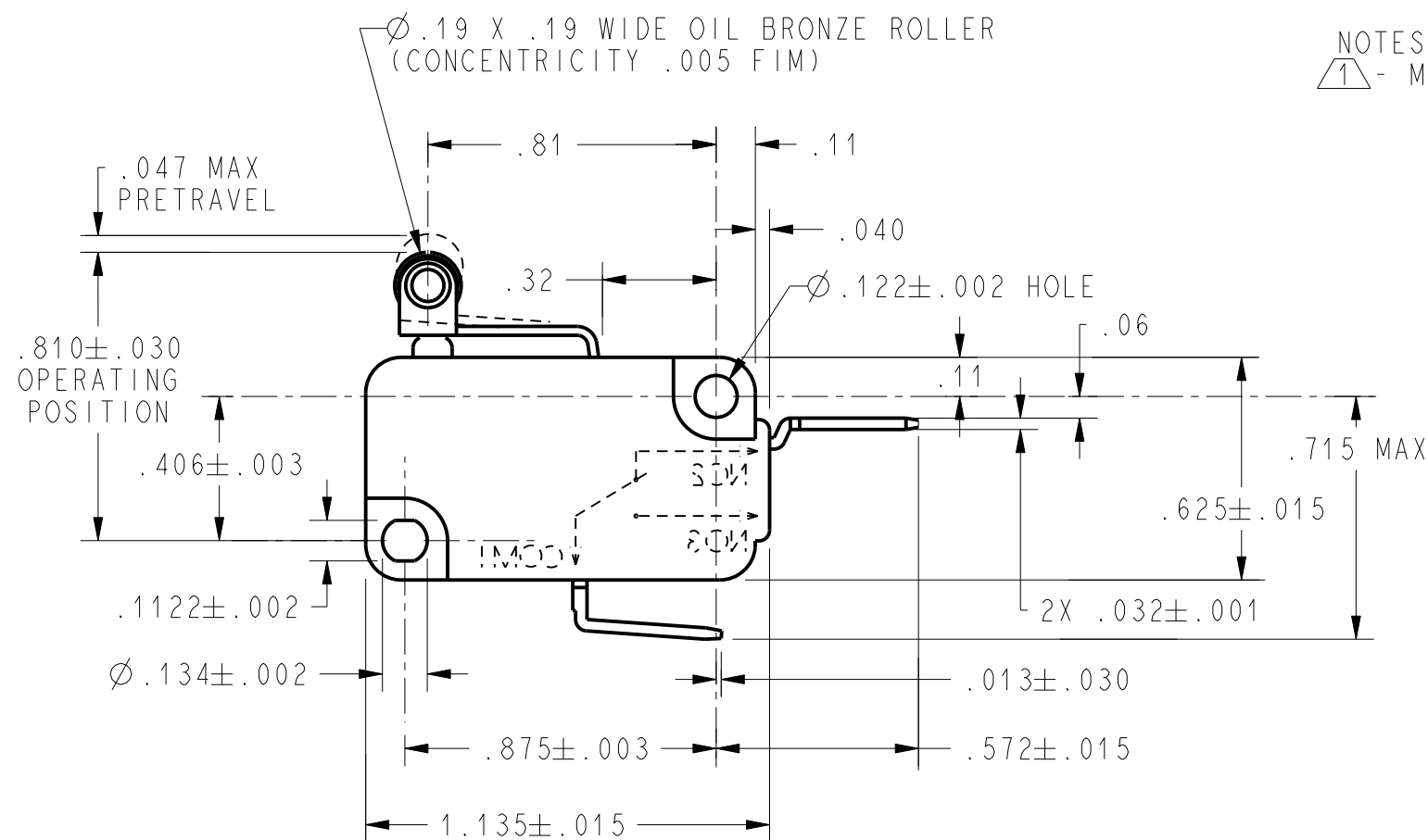
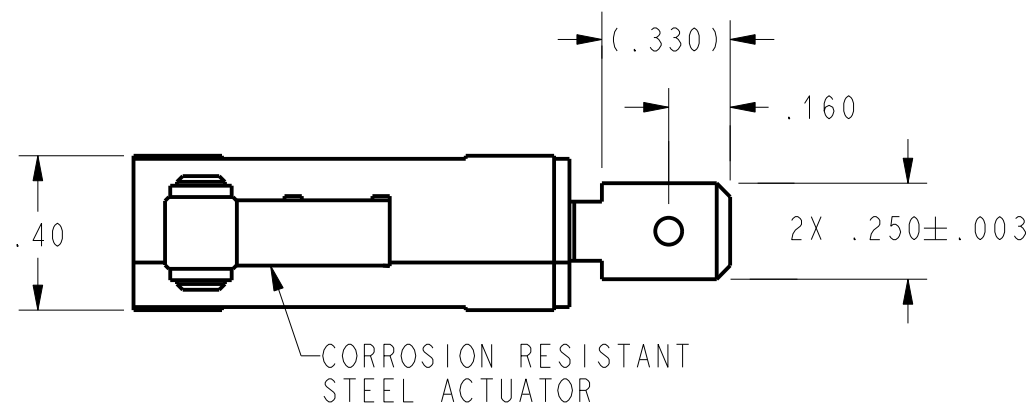


REV	DOCUMENT	CHANGED BY	CHECK
4	0003569	KED 16FEB04	MDM



NOTES
 1 - METRIC MOUNTING HOLES

CHARACTERISTICS	
OPERATING FORCE	-----180 GRAMS MAX
RELEASE FORCE	-----25 GRAMS MIN
DIFFERENTIAL TRAVEL	-----0.015 MAX
OVERTRAVEL	-----0.040 MIN
RELEASE TRAVEL	-----0.007 MIN

ELECTRICAL DATA	
CONTACT ARRANGEMENT S P N C	
L162	
5A 125, 250, 277 VAC 1/10HP 250 VAC	

UNLESS OTHERWISE SPECIFIED TOLERANCES ARE:			
	<input checked="" type="checkbox"/> US (inch) CUSTOMARY	<input type="checkbox"/> SI (mm) METRIC	
NO PLACE	X	±.040	±1
ONE PLACE	.X	±.030	±0,4
TWO PLACE	.XX	±.015	±0,15
THREE PLACE	.XXX	±.005	±
ANGLES		±	±
RAW MATERIAL-COMMERCIAL STANDARD			
THIRD ANGLE PROJECTION			

DRAWN	TSM	12FEB03
CHECK	SAV	12FEB03
THIS DRAWING COVERS A PROPRIETARY ITEM AND IS THE PROPERTY OF HONEYWELL. THIS DRAWING IS NOT TO BE COPIED OR USED WITHOUT THE PERMISSION OF HONEYWELL.		
PTC 2D	ASME Y14.5M-1994	

Honeywell			
TITLE SWITCH, BASIC			
SIZE	DWG TYPE	DRAWING NAME	REV
B	I	V7-1A38E9-201-2	4
SCALE	NONE	WEIGHT	SHEET 1 OF 1